

Another possible accessories:



MKA
f. Type R
Foot



HB
f. Type RS
Mounting
bracket



BG
Protection
guard



GS
ON-OFF switch



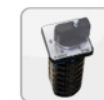
ED
Control unit
(electronically)



RE / RTE
Control unit
(5-steps)



TE
Transformer
(5-step, in bulk)



S5
5-step-switch
(in bulk)

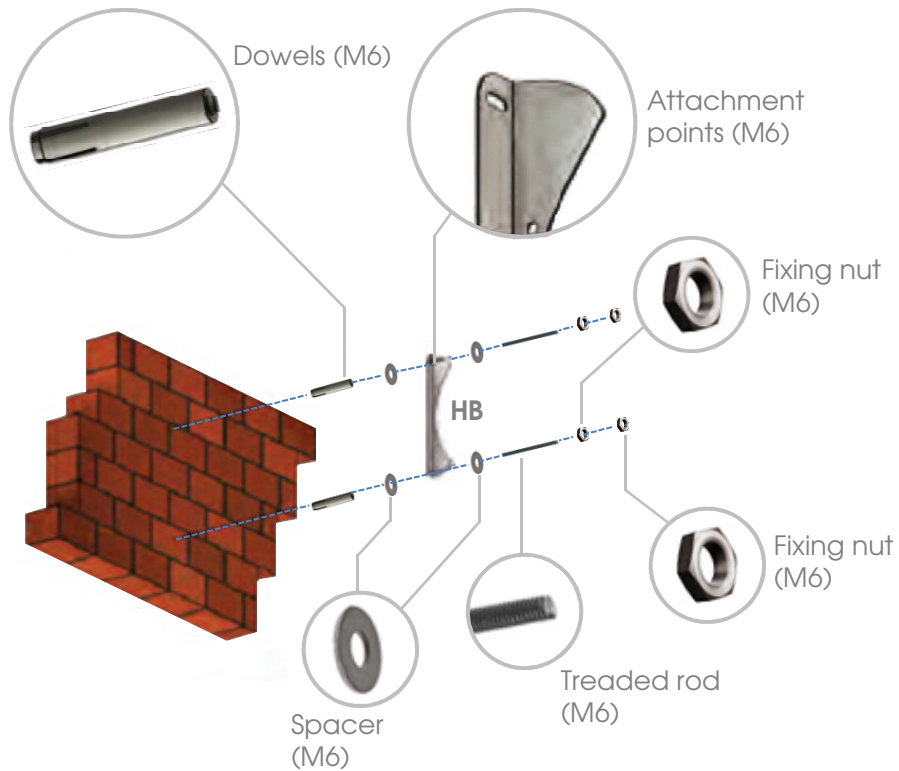


Wall mounting

of the tube fan **Type RS** with mounting bracket (HB)
 Mounting hardware is not included!

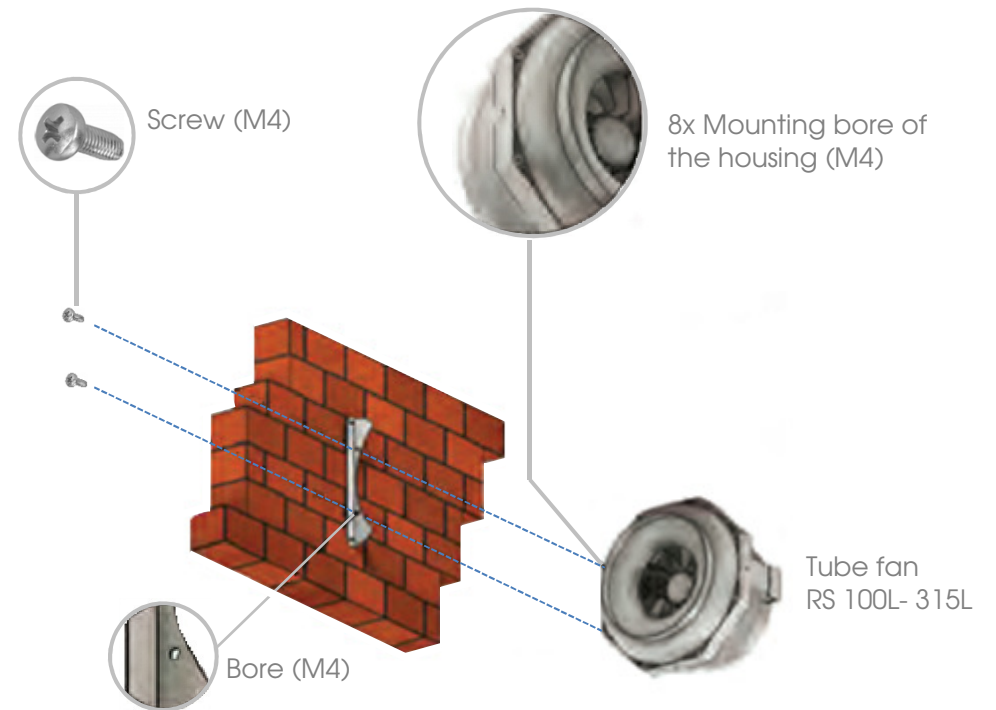
Step 1

Installation mounting bracket (HB)



Step 2

Installation tube fan (RS)

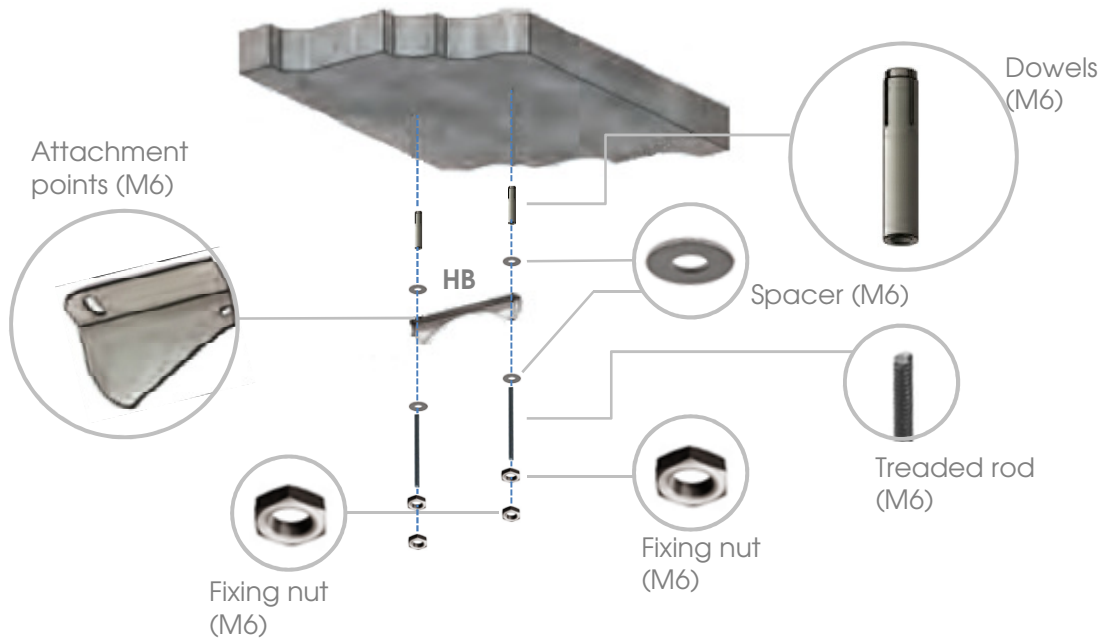




Ceiling mount
 of the tube fan **Type RS** with mounting bracket (HB)
 Mounting hardware is not included!

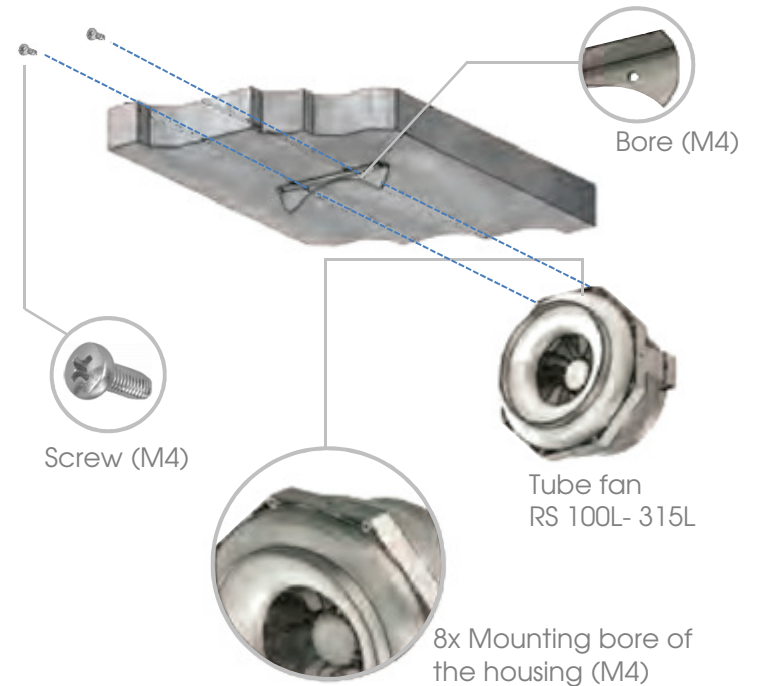
Step 1

Installation mounting bracket (HB)



Step 2

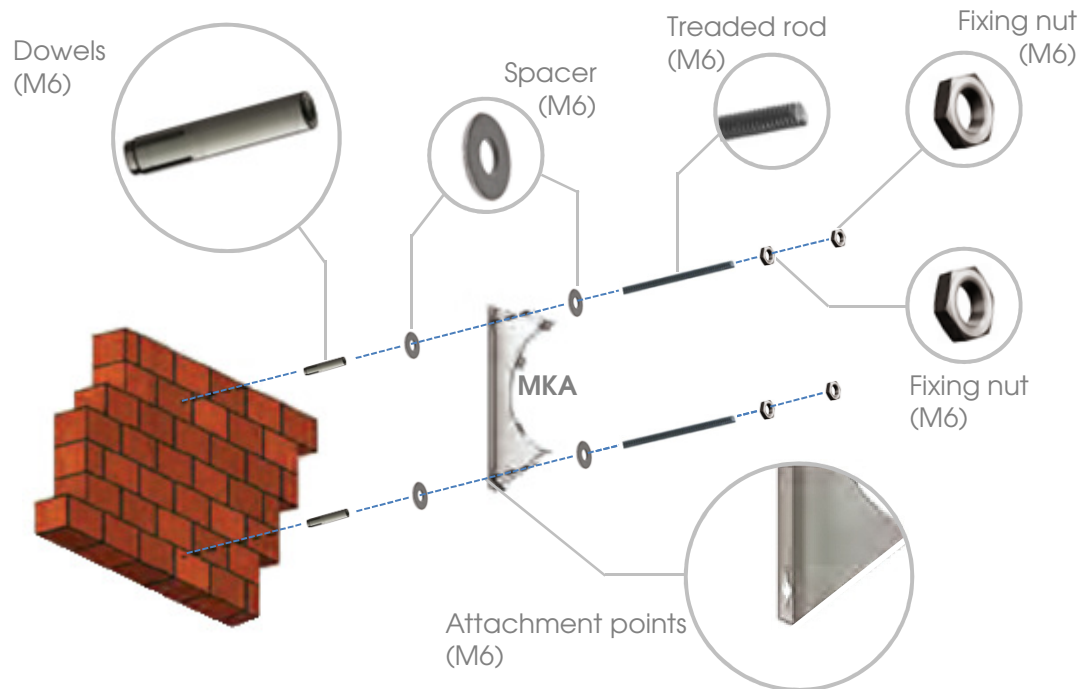
Installation tube fan (RS)



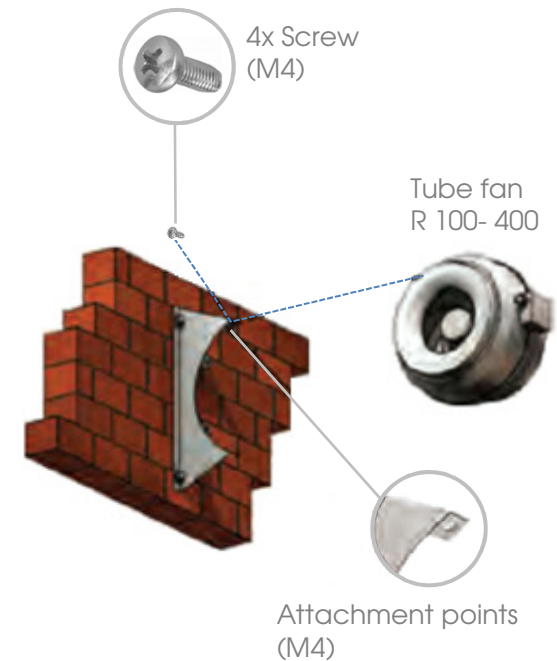


Wall mounting
 of the tube fan **Type R** with foot (MKA)
 Mounting hardware is not included!

Step 1
 Installation foot (MKA)



Step 2
 Installation tube fan (R)

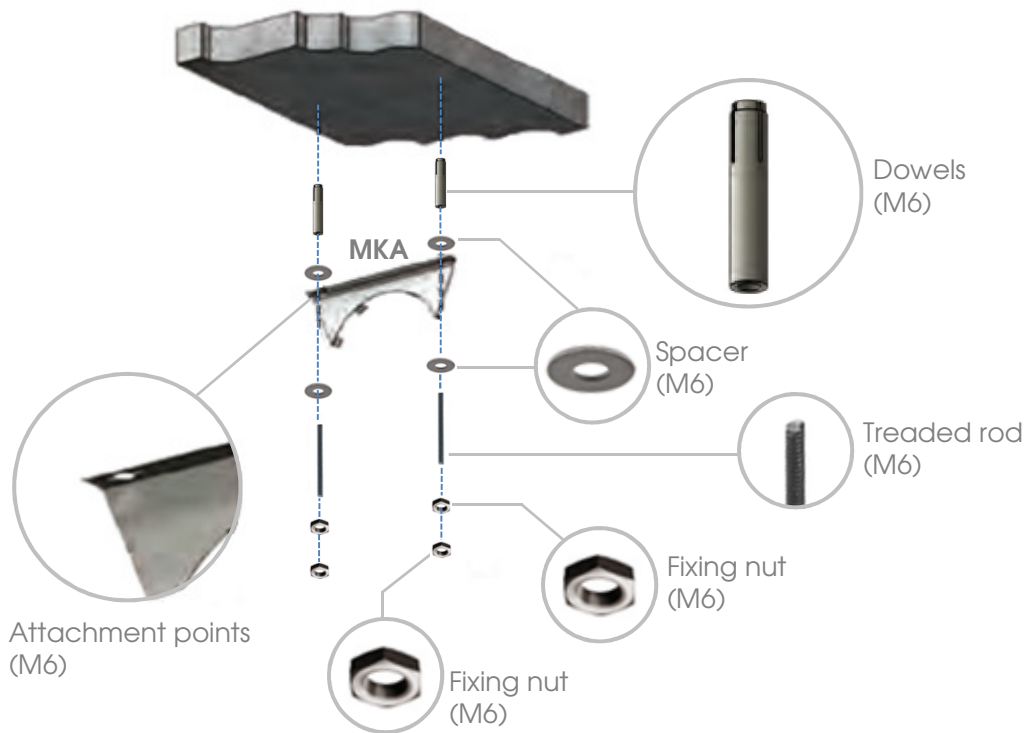




Ceiling mount
 of the tube fan **Type R** with foot (MKA)
 Mounting hardware is not included!

Step 1

Installation foot (MKA)



Step 2

Installation tube fan (R)

